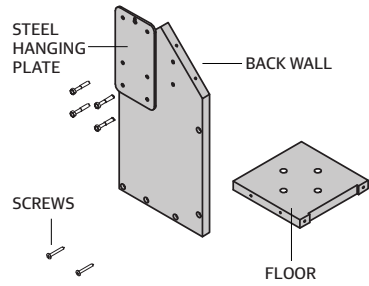


ASSEMBLY INSTRUCTIONS

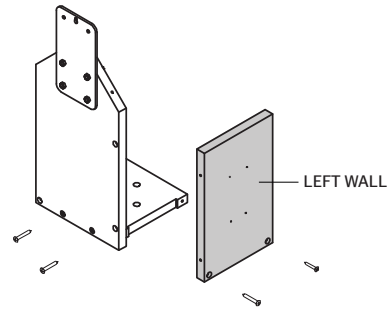
BUILD A REAL HOME FOR BIRDS

6+ ages

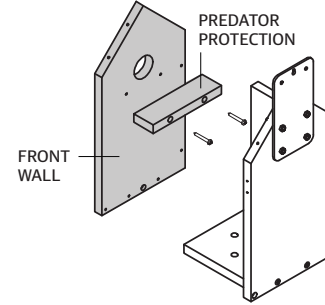
1



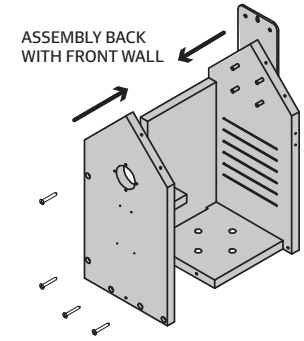
2



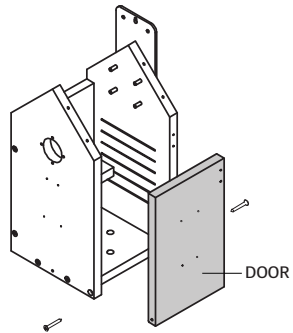
3



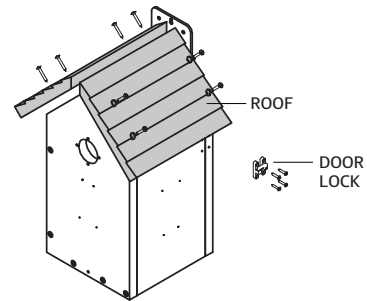
4



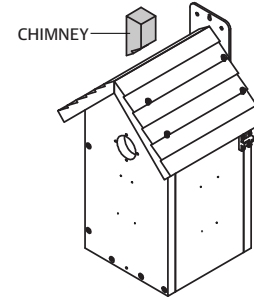
5



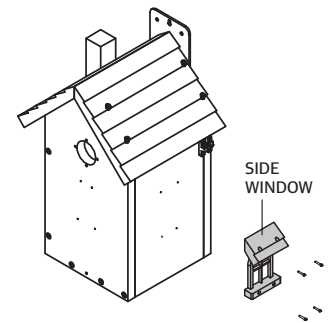
6



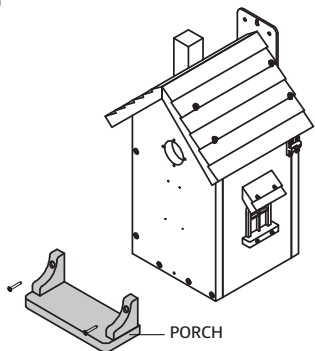
7



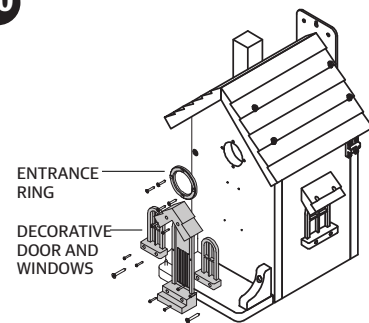
8



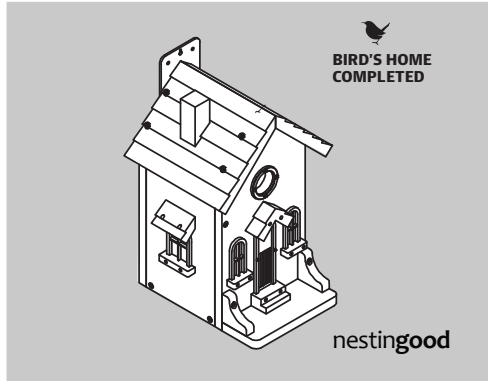
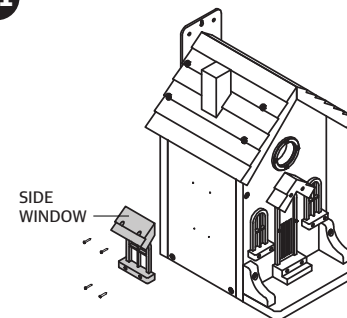
9



10



11





WARNINGS & SAFETY INSTRUCTIONS

Please read before assembling your birdhouse kit:

- **Adult supervision is required.** This product contains small parts. Keep all screws and tools out of children's reach.
- **Do not use power drills or electric screwdrivers.** Over-tightening may crack the wood or damage the screw holes.
- **Use hand tools only.** A manual screwdriver is sufficient and safer for precise assembly.
- **Work on a stable, flat surface.** This will help avoid losing small parts and prevent injury.
- **Be mindful of wood splinters.** Handle all wooden parts carefully and sand any sharp edges if needed.
- **Do not force parts into place.** All components are pre-cut to fit properly. If something doesn't align, recheck the orientation.
- **Ensure proper ventilation and weather resistance.** Once assembled, install the birdhouse in a shaded, protected outdoor area.

NOTE:

Due to the natural oils in acacia wood, a mild odor may be present during the first few days. This is normal and will dissipate over time.

If you wish to paint your birdhouse, use only non-toxic, water-based paints or natural stains that are safe for birds and allow the wood to breathe. Avoid oil-based or heavily scented finishes.